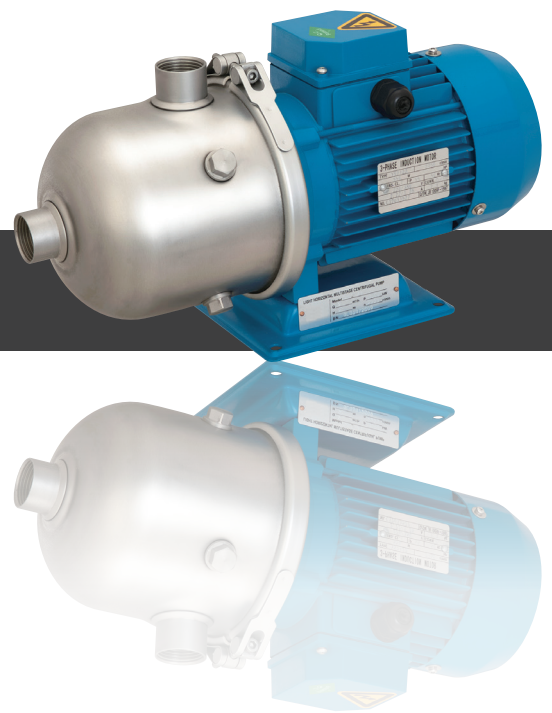


SERIES
THM 50Hz
THMS 60Hz

HORIZONTAL MULTISTAGE
PUMPS



Horizontal Multistage Stainless Steel Centrifugal Pumps

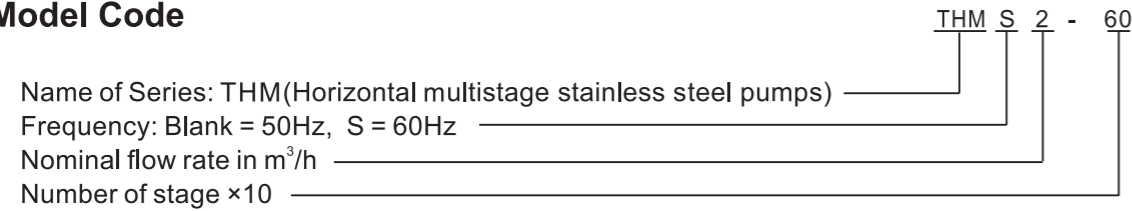
1. Applications

THM/THMS horizontal multistage stainless steel centrifugal pumps are designed for the following applications:

Mainly applicable for conveying of industrial liquid, circulation and pressure for demineralized water, soft water, purified solution, light oil, etc.

- Cooling water systems
- Domestic water supply
- Industrial cleaning
- Agriculture
- Pesticide dosing systems
- Environmental protection
- Water treatment
- Boosting & circulation systems

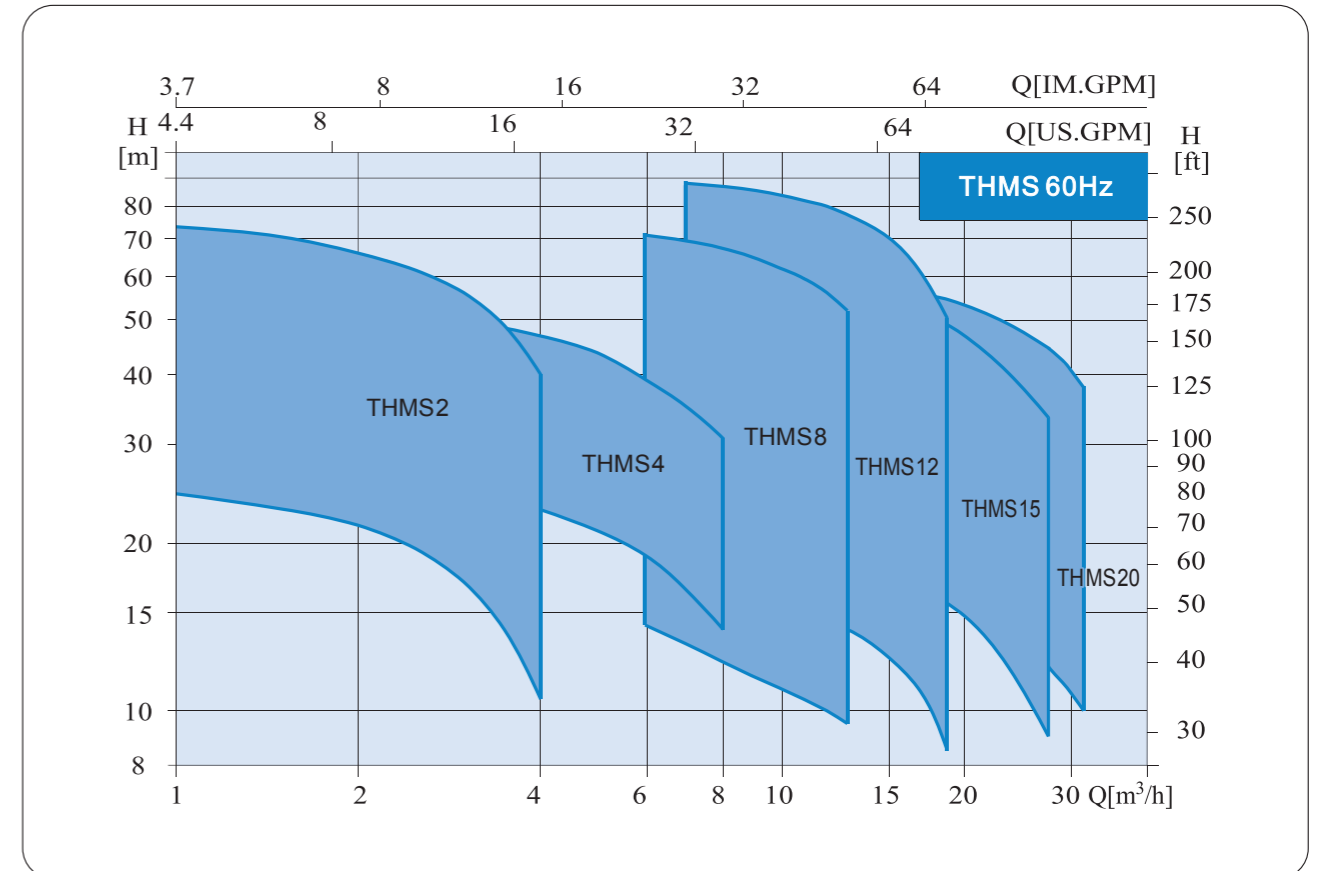
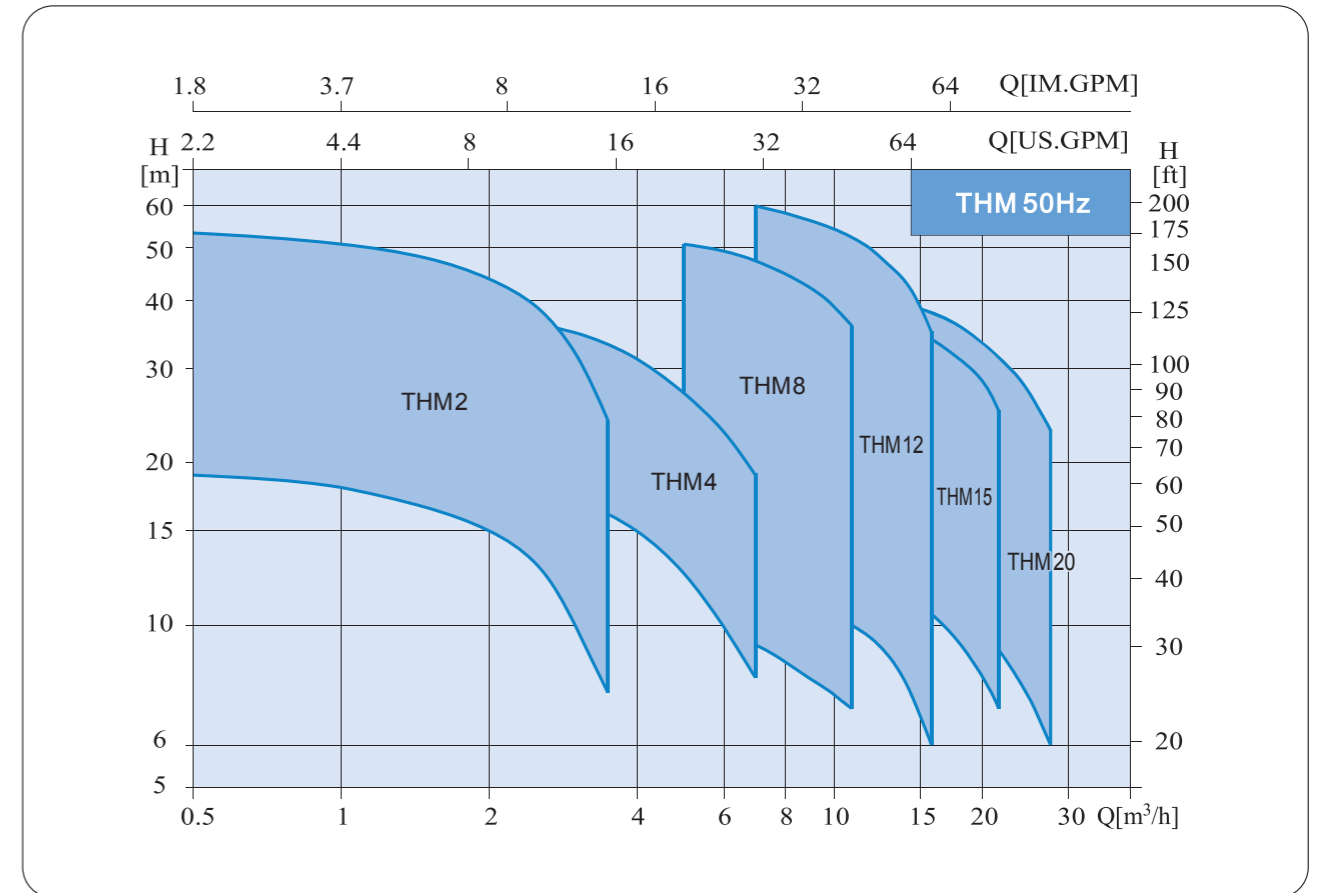
2. Model Code



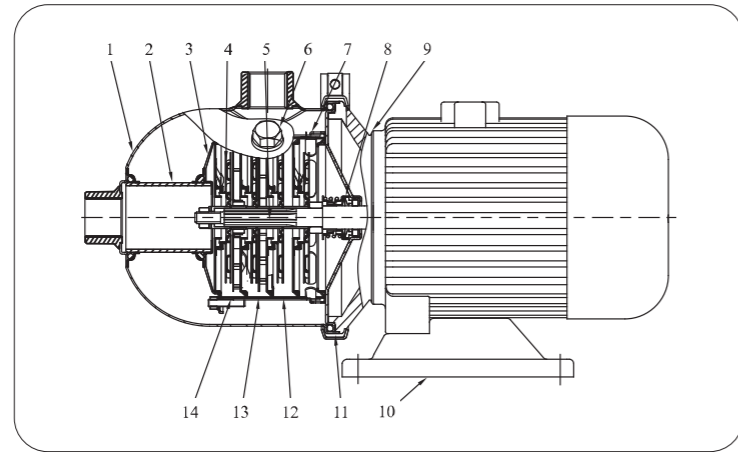
3. Technical Data

- Ambient Temperature
Maximum:+40°C
- Liquid Temperature
Standard design:-15°C to+70°C
For hot water design:-15°C to+110°C
- Max operating pressure is limited by max operating pressure.
Axial inlet and radial outlet
- Electric Motor standard be supplied as:
50Hz: Single phase 220V~240V or three phase 380V~415V
aluminum casing, IP55,class F. Single phase motor up to 2.4kW
60Hz: Single phase 220V~240V or three phase 380V~415V
aluminum casing, IP55,class F. Single phase motor up to 2.2kW
- Pump's material can be supplied in 304 or 316 stainless steel.
- THM/THMS max operation pressure:10bar.
- Max suction pressure is limited by max operation pressure.

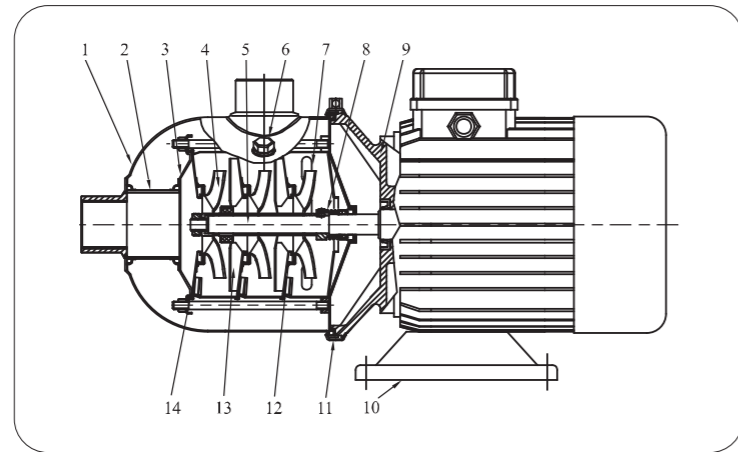
Selection Charts



General Arrangement Drawing



THM(S) 2,4

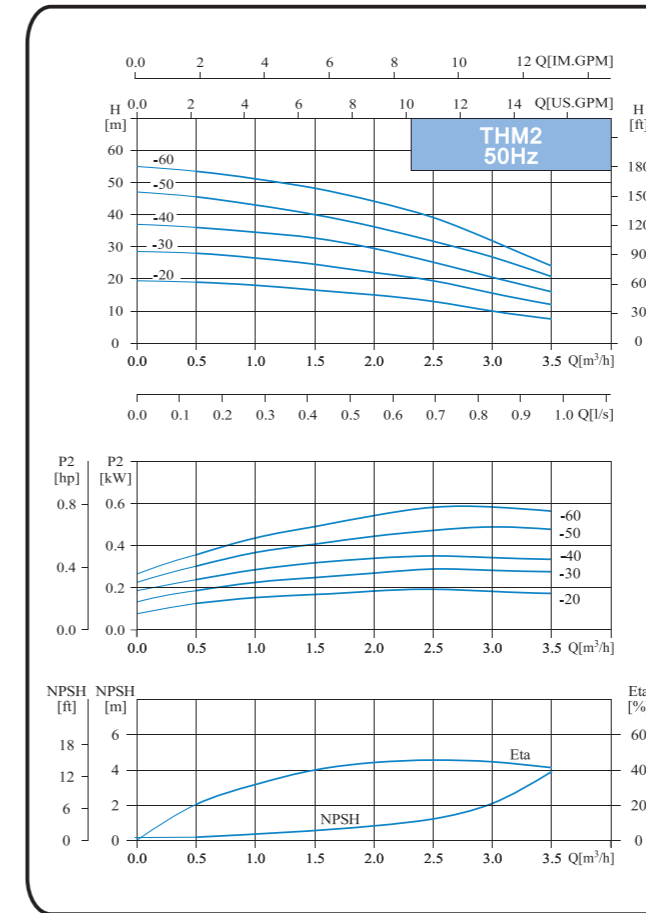


THM(S) 8,12,15,20

Item No.	Name	Material	AISI/ASTM
1	Suction and discharge head	Stainless steel	304
2	Connection pipe	Stainless steel	304
3	Clamp plate	Stainless steel	304
4	Impeller	Stainless steel	304
5	Shaft	Stainless steel	304
6	Vent	Stainless steel	304
7	Discharge diffuser	Stainless steel	304
8	Mechanical seal		
9	Motor end cover	Aluminum alloy	
10	Base frame	Steel	AISI1015
11	Quick joint	Stainless steel	304
12	Diffuser	Stainless steel	304
13	Support diffuser	Stainless steel	304
14	Inducer	Stainless steel	304

Technical Data (50Hz)

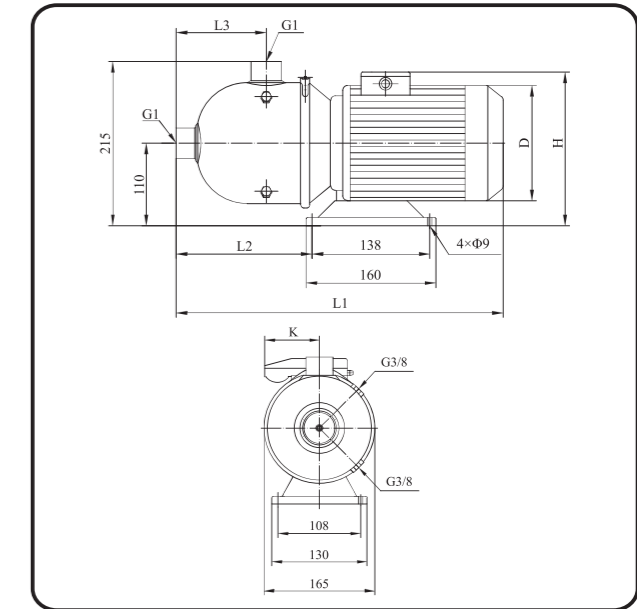
Performance Curve



ISO9906 Annex A



Dimensions



Size and Weight

Model	Size (mm)						Weight (kg)
	L1	L2	L3	D*	H*	K*	
THM2-20	400	165	125	141	215/249	- / 62	10
THM2-30	400	165	125	141	215/249	- / 62	10
THM2-40	400	165	125	141	215/249	- / 62	11
THM2-50	400	165	125	141	215/249	- / 62	12
THM2-60	420	165	125	151/161	225/265	- / 91	14

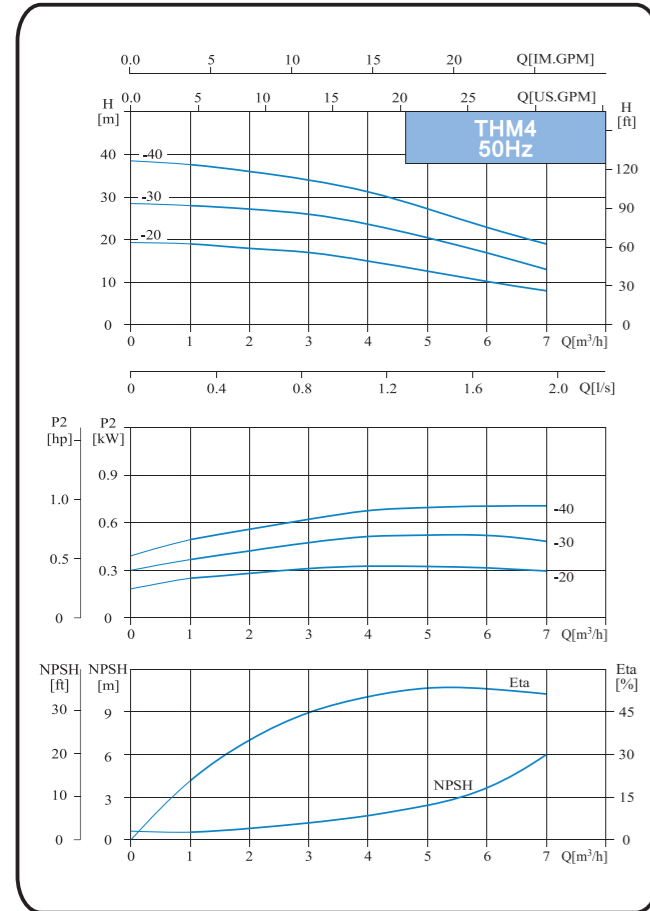
* Three / Single phase

Performance Table

Model	Driving Motor		Q (m³/h)	H (m)						
	(kW)	(hp)		0.5	1	1.5	2	2.5	3	3.5
THM2-20	0.37	0.5	H (m)	19	18	16.5	15	13	10	7.5
THM2-30	0.55	0.75		28	26.5	24.5	22	19	15.5	12
THM2-40	0.55	0.75		36	34.5	33	29	25	20.5	16
THM2-50	0.55	0.75		45.5	43	40	36	31.5	26.5	20.5
THM2-60	0.75	1		53.5	51	48	44	39	32	24

Technical Data (50Hz)

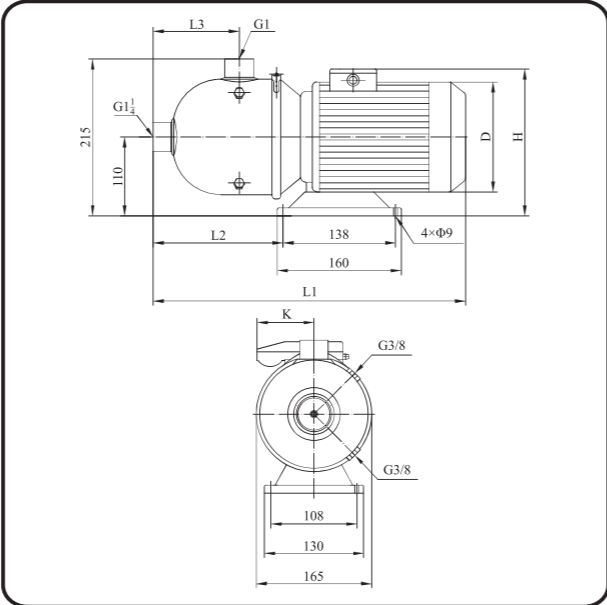
Performance Curve



ISO9906 Annex A

THM 4

Dimensions



Size and Weight

Model	Size (mm)						Weight (kg)
	L1	L2	L3	D*	H*	K*	
THM4-20	400	172	132	141	215/249	- /62	10
THM4-30	400	172	132	141	215/249	- /62	11
THM4-40	420	172	132	151/161	225/265	- /91	14

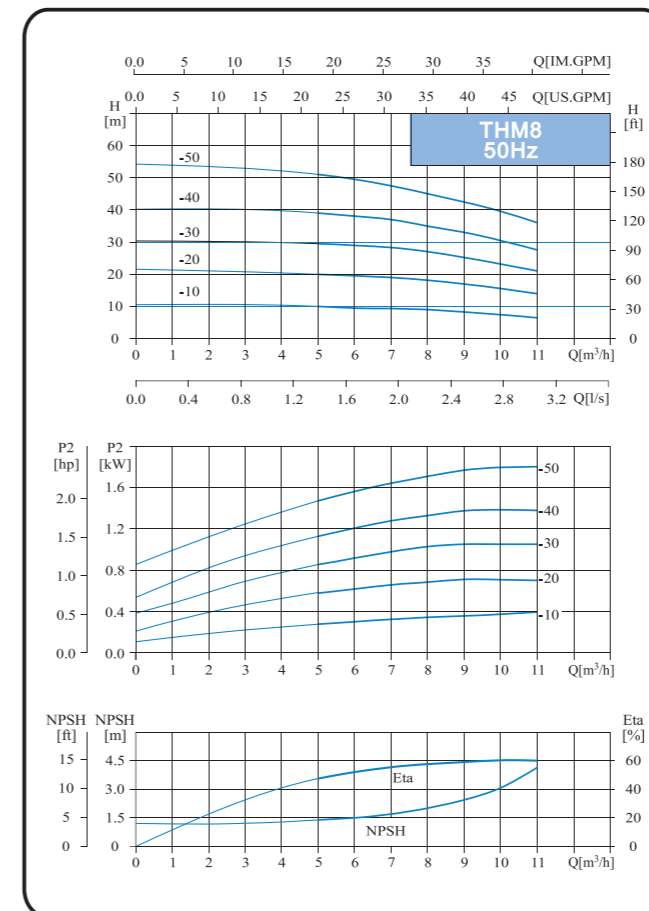
* Three / Single phase

Performance Table

Model	Driving Motor		Q (m³/h)	1	2	3	4	5	6	7
	(kW)	(hp)								
THM4-20	0.55	0.75	H (m)	19	18	17	15	12.5	10	8
THM4-30	0.75	1		28	27	26	23.5	20.5	17	13
THM4-40	0.75	1		37.5	36	34	31	27	23	19

Technical Data (50Hz)

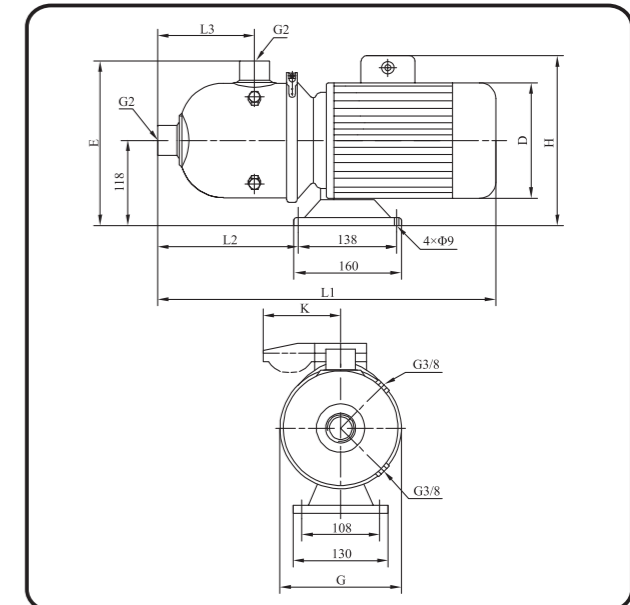
Performance Curve



ISO9906 Annex A

THM 8

Dimensions



Size and Weight

Model	Size (mm)								Weight (kg)
	L1	L2	L3	E	G	D*	H*	K*	
THM8-10	530	279	176	264	223	151/161	225/265	- /91	18
THM8-20	530	279	176	264	223	151/161	225/265	- /91	19
THM8-30	530	279	176	264	223	171/176	235/270	- /91	22
THM8-40	563	279	176	265	223	171/176	235/270	- /91	27
THM8-50	563	279	176	265	223	171/176	235/270	- /91	32

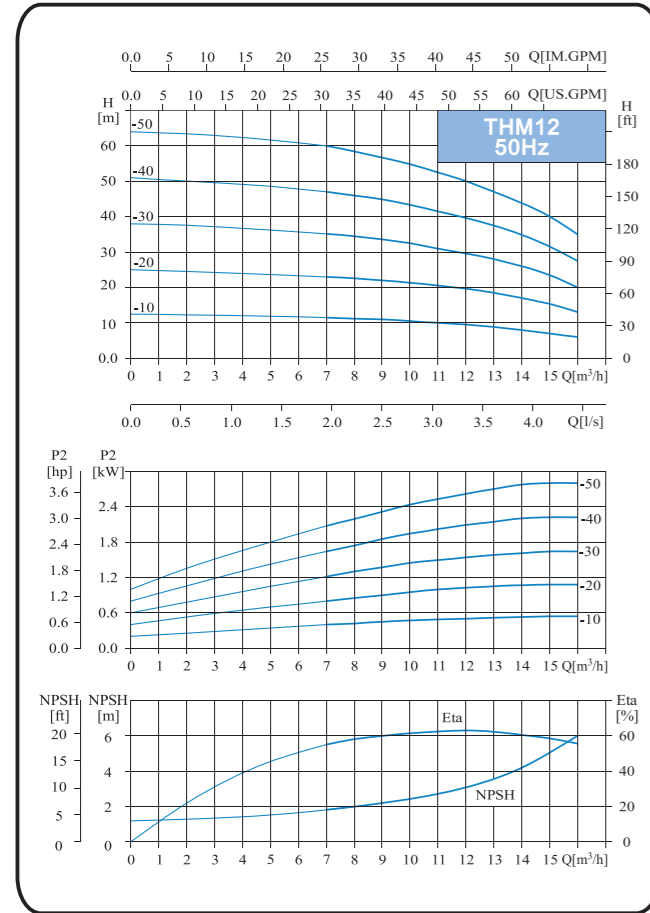
* Three / Single phase

Performance Table

Model	Driving Motor		Q (m³/h)	5	6	7	8	9	10	11
	(kW)	(hp)								
THM8-10	0.75	1	H (m)	10	9.5	9.3	9	8	7.5	7
THM8-20	0.75	1		20	19.5	19	18	17	15.5	14
THM8-30	1.1	1.5		29.5	29	28	27	25	23	21
THM8-40	1.5	2		39	38	37	35	33	30.5	27.5
THM8-50	2.2	3		51	49.5	47.5	45	42.5	39.5	36

Technical Data (50Hz)

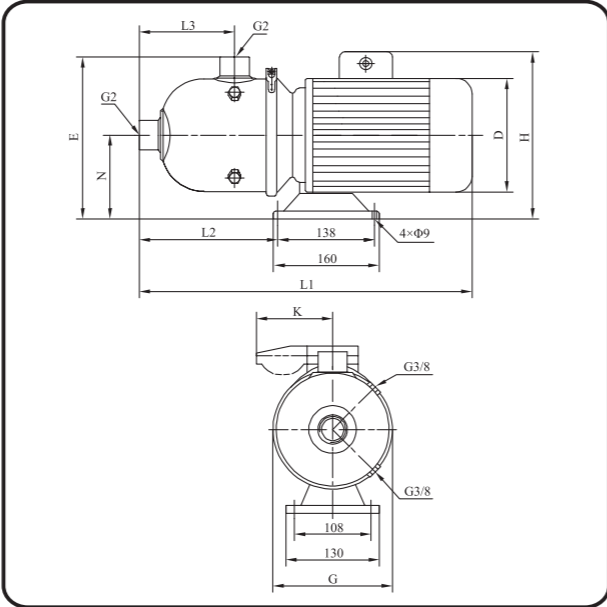
Performance Curve



ISO9906 Annex A

THM 12

Dimensions



Size and Weight

Model	Size (mm)									Weight (kg)
	L1	L2	L3	N	E	G	D*	H*	K*	
THM12-10	530	279	176	117	264	223	151/161	225/265	-/91	18
THM12-20	530	279	176	117	264	223	151/161	225/265	-/91	22
THM12-30	563	279	176	118	265	223	171/176	235/270	-/91	28
THM12-40	563	279	176	118	265	223	171/176	235/270	-/91	33
THM12-50	610	279	176	128	275	223	196/-	259/-	-/-	37

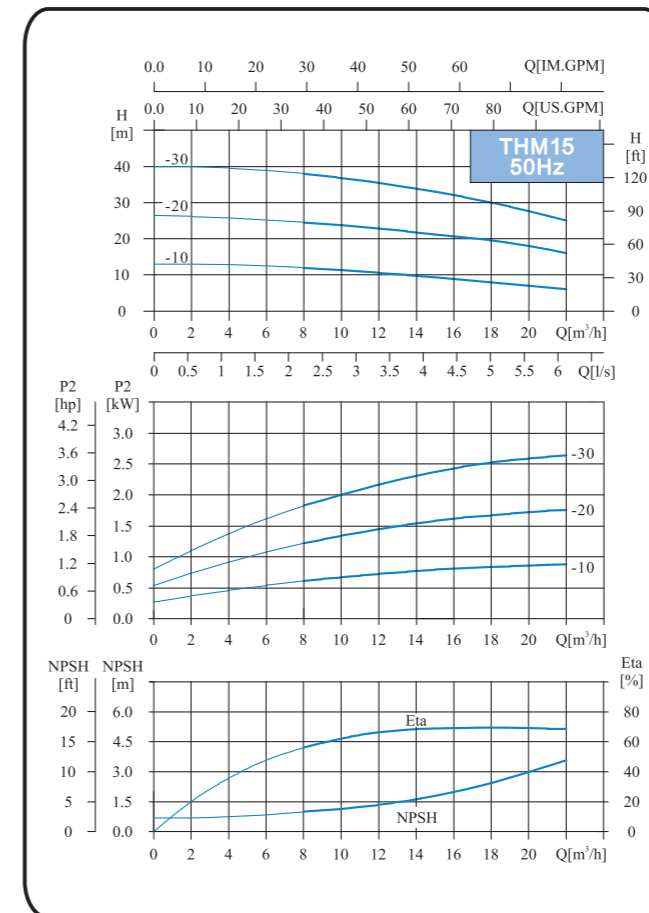
* Three / Single phase

Performance Table

Model	Driving Motor		Q (m³/h)	H (m)											
	(kW)	(hp)		7	8	9	10	11	12	13	14	15	16		
THM12-10	0.75	1	H (m)	11.5	11.2	11	10.5	10	9.5	9	8	7	6		
THM12-20	1.2	1.6		23	22.5	22	21.5	20.5	19.5	18.5	17	15.5	13		
THM12-30	1.8	2.4		35	34.5	33.5	32.5	31	29.5	28	26	23.5	20		
THM12-40	2.4	3.3		47	46	45	43.5	41.5	39.5	37.5	35	31.5	27.5		
THM12-50	3	4		60	58	56.5	55	52.5	50	47	44	40	35		

Technical Data (50Hz)

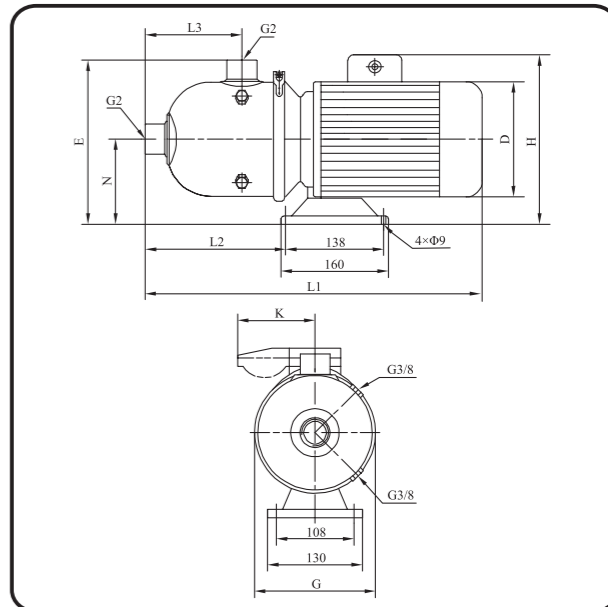
Performance Curve



ISO9906 Annex A

THM 15

Dimensions



Size and Weight

Model	Size (mm)									Weight (kg)
	L1	L2	L3	N	E	G	D*	H*	K*	
THM15-10	530	279	176	117	264	223	151/161	225/265	-/91	20
THM15-20	563	279	176	118	265	223	171/176	235/270	-/91	26
THM15-30	605	279	176	128	275	223	196/-	259/-	-/-	34

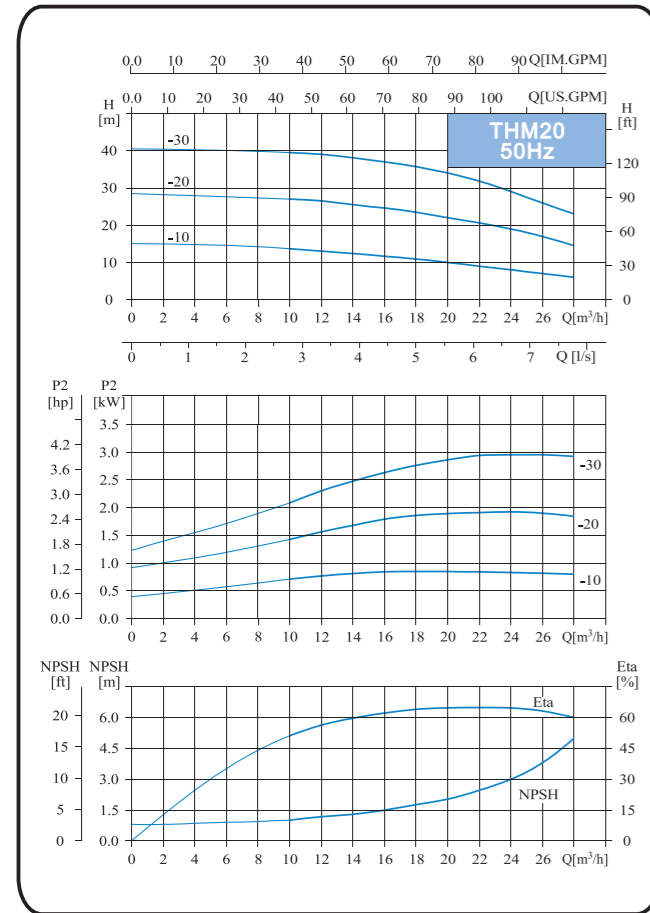
* Three / Single phase

Performance Table

Model	Driving motor		Q (m³/h)	H (m)											
	(kW)	(hp)		8	10	12	14	15	16	18	20	22			
THM15-10	1.1	1.5	H (m)	12	11	10.5	9.5	9	8.5	7.5	6.5	6			
THM15-20	2.2	3		24.5	24	23	22	21	20.5	19	18	16			
THM15-30	3	4		38	37	35.5	34	33	32	30	28	25			

Technical Data (50Hz)

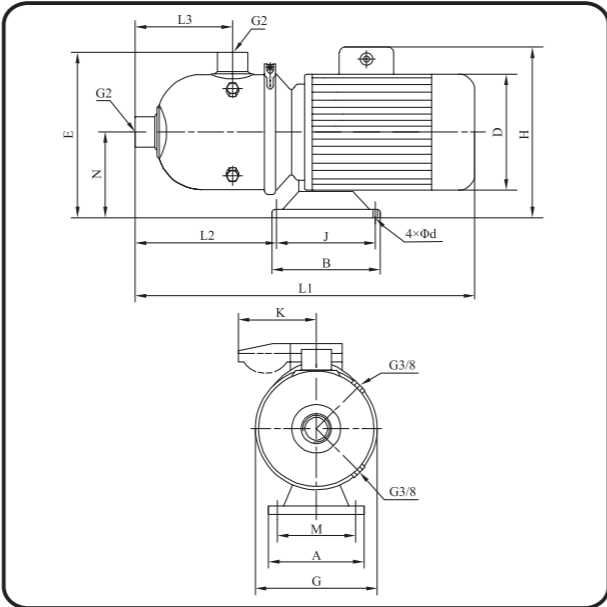
Performance Curve



ISO9906 Annex A

THM 20

Dimensions



Size and Weight

Model	Size (mm)														Weight (kg)
	L1	L2	L3	N	E	G	A	M	B	J	d	D*	H*	K*	
THM20-10	530	279	176	117	264	223	130	108	160	138	9	151/161	225/265	-/91	20
THM20-20	563	279	176	118	265	223	130	108	160	138	9	171/176	235/270	-/91	26
THM20-30	612	357	176	120	267	223	220	190	170	140	12	213/-	270/-	-/-	40

* Three / Single phase

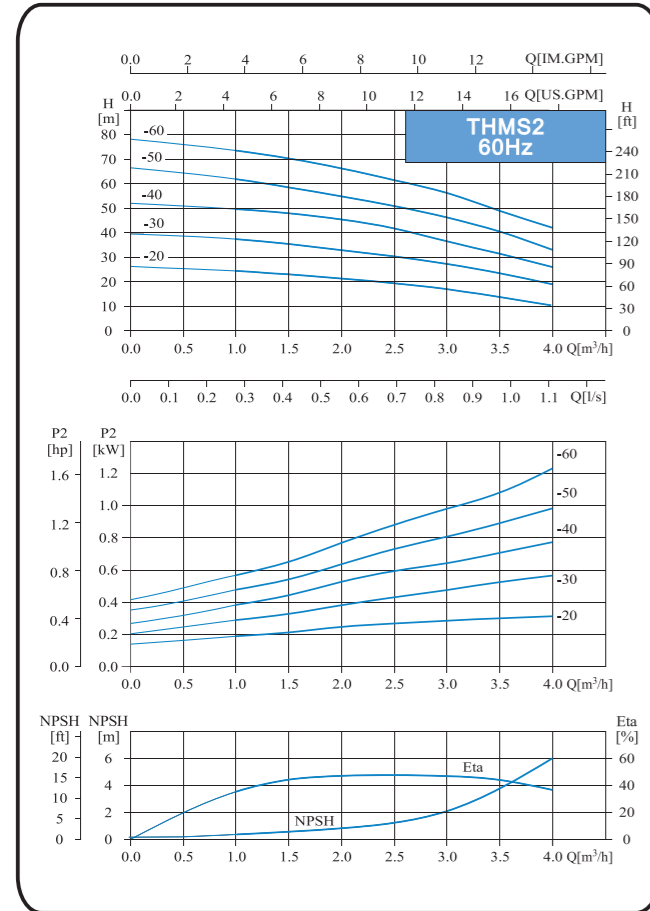
Performance Table

Model	Driving Motor		Q (m³/h)	10	12	14	16	18	20	22	24	26	28
	(kW)	(hp)		H (m)									
THM20-10	1.1	1.5	H (m)	13.5	13	12.5	12	11	10	9	8	7	6
THM20-20	2.2	3		27	26.5	25.5	25	23.5	22	20.5	18.5	17	14.5
THM20-30	4	5.5		39.5	39	38	37.5	35.5	34	31.5	29	26	23

Series of horizontal lines for notes or additional information.

Technical Data (60Hz)

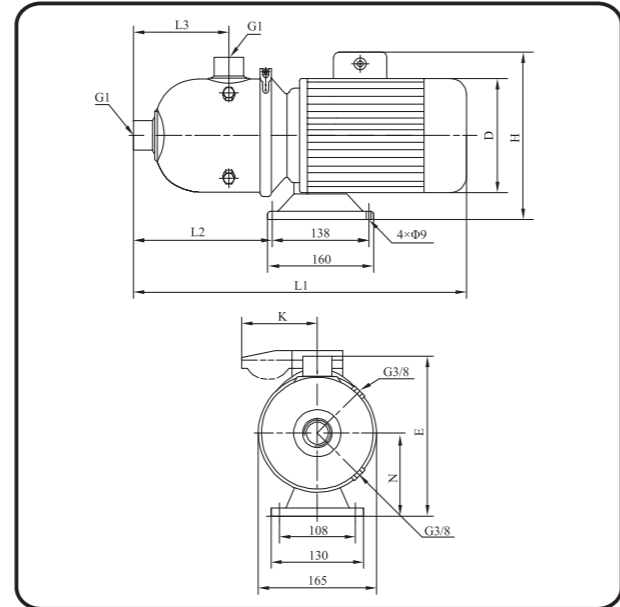
Performance Curve



ISO9906 Annex A

THMS 2

Dimensions



Size and Weight

Model	Size(mm)								Weight (kg)
	L1	L2	L3	H*	N	D*	E	K*	
THMS2-20	400	165	125	215/249	110	141	215	- /62	13
THMS2-30	420	165	125	230/265	110	151/161	215	- /91	13
THMS2-40	420	165	125	230/265	110	151/161	215	- /91	15
THMS2-50	420	165	125	230/265	110	151/161	215	- /91	15
THMS2-60	420	165	125	230/265	110	151/161	215	- /91	15

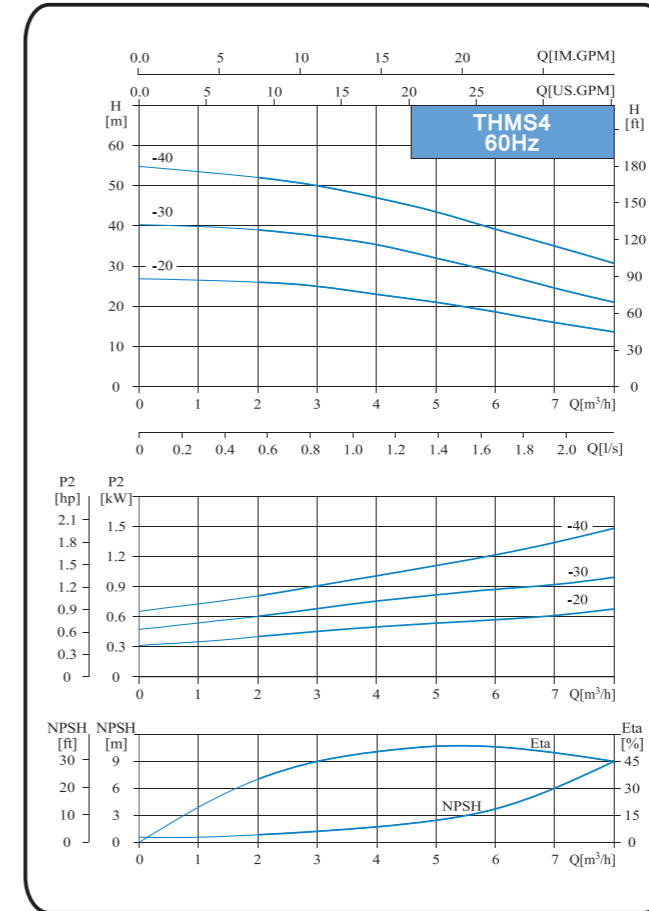
* Three / Single phase

Performance Table

Model	Driving Motor		Q (m³/h)	H (m)						
	(kW)	(hp)		1	1.5	2	2.5	3	3.5	4
THMS2-20	0.55	0.75	H (m)	24.5	23	21.5	19.5	17	14	10.5
THMS2-30	0.75	1		37.5	35.5	33	30.5	27.5	23.5	19
THMS2-40	1.1	1.5		49.5	48	45.5	42	36	32	26
THMS2-50	1.1	1.5		62	58.5	55	51	46	40.5	33
THMS2-60	1.5	2		73.5	70.5	66	61.5	56	49	40

Technical Data (60Hz)

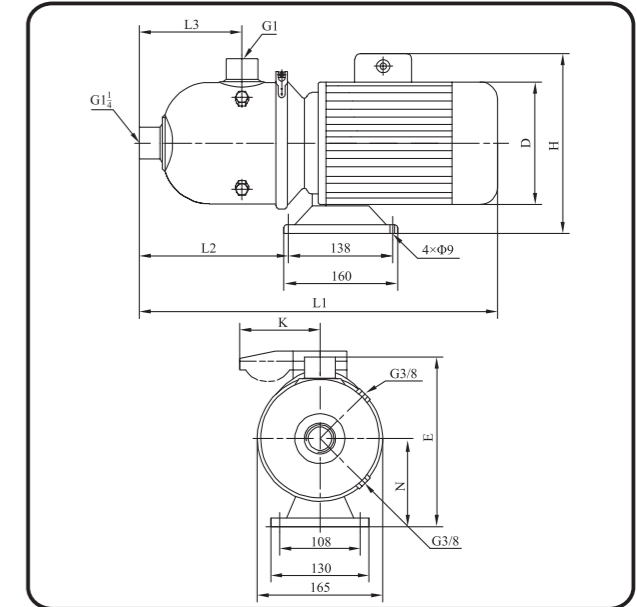
Performance Curve



ISO9906 Annex A

THMS 4

Dimensions



Size and Weight

Model	Size(mm)								Weight (kg)
	L1	L2	L3	H*	N	D*	E	K*	
THMS4-20	420	172	132	230/265	110	151/161	215	- /91	12
THMS4-30	420	172	132	230/265	110	151/161	215	- /91	15
THMS4-40	470	172	132	235/270	110	151/161	215	- /91	20

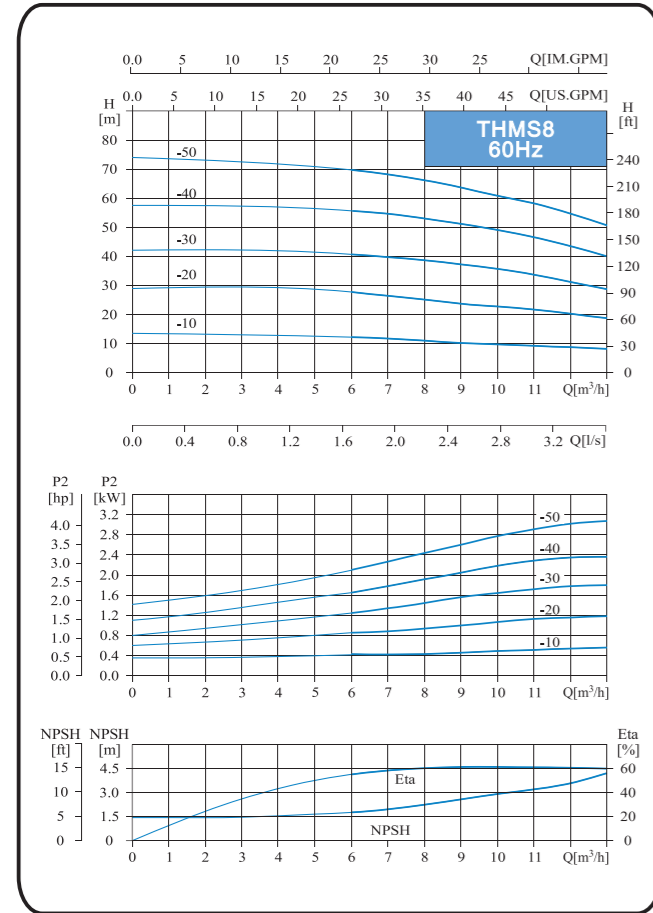
* Three / Single phase

Performance Table

Model	Driving Motor		Q (m³/h)	H (m)							
	(kW)	(hp)		2	3	4	5	6	7	8	
THMS4-20	0.75	1	H (m)	26	25	23	21	19	16	14	
THMS4-30	1.1	1.5		39	37.5	36	32	28	24	21	
THMS4-40	1.5	2		52	50	47	43.5	38.5	35	31	

Technical Data (60Hz)

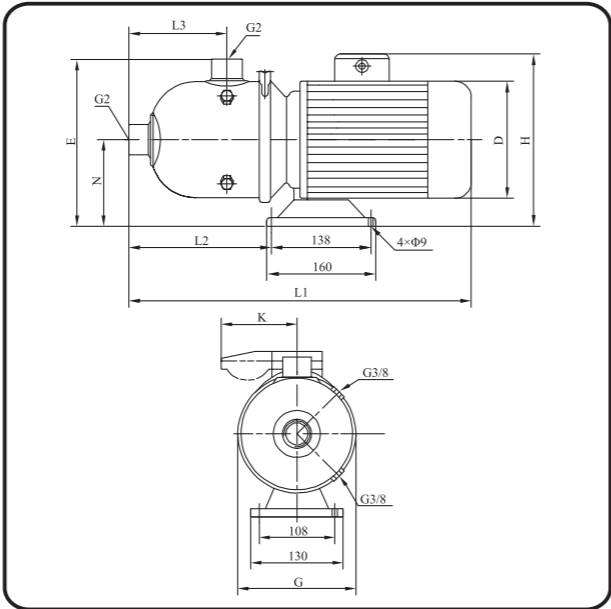
Performance Curve



ISO9906 Annex A



Dimensions



Size and Weight

Model	Size(mm)									Weight (kg)
	L1	L2	L3	N	E	G	D*	H*	K*	
THMS8-10	530	279	176	117	264	223	151/161	230/265	-/91	20
THMS8-20	563	279	176	118	265	223	171/176	235/270	-/91	25
THMS8-30	563	279	176	118	265	223	171/176	235/270	-/91	25
THMS8-40	605	269	176	128	275	223	196/-	259/-	-/-	30
THMS8-50	605	269	176	128	275	223	196/-	259/-	-/-	30

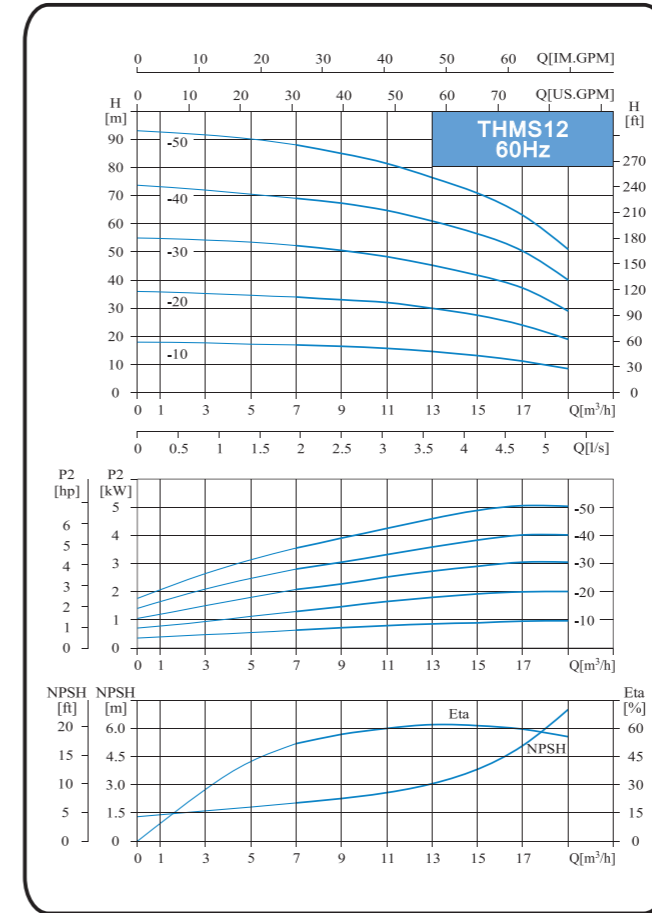
* Three / Single phase

Performance Table

Model	Driving Motor		Q (m³/h)	6	7	8	9	10	11	12	13
	(kW)	(hp)									
THMS8-10	0.75	1	H (m)	14.5	13	12	11.5	11	10.5	10	9.5
THMS8-20	1.5	2		29	27	26	25	24	23	21.5	20
THMS8-30	2.2	3		42	41	40	39	37	35	33	30
THMS8-40	3	4		55.5	54.5	53	51	49	46.5	43.5	40
THMS8-50	3	4		71	69.5	67.5	65	63	59	56	52

Technical Data (60Hz)

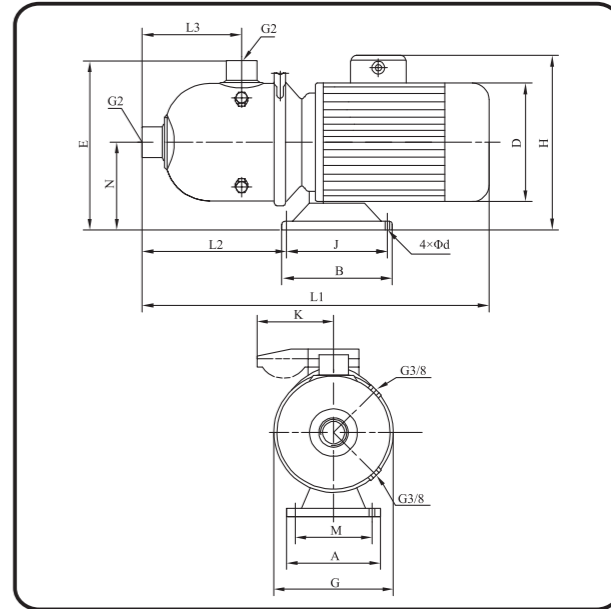
Performance Curve



ISO9906 Annex A



Dimensions



Size and Weight

Model	Size(mm)												Weight (kg)		
	L1	L2	L3	N	E	G	A	M	B	J	d	D*		H*	K*
THMS12-10	530	279	176	117	264	223	130	108	160	138	9	151/161	230/265	-/91	22
THMS12-20	563	279	176	118	265	223	130	108	160	138	9	171/176	235/270	-/91	25
THMS12-30	612	279	176	118	265	223	130	108	160	138	9	196/-	259/-	-/-	32
THMS12-40	612	357	176	120	267	223	220	190	170	140	12	213/-	270/-	-/-	44
THMS12-50	661	369	176	132	279	223	248	216	190	140	12	255/-	300/-	-/-	58

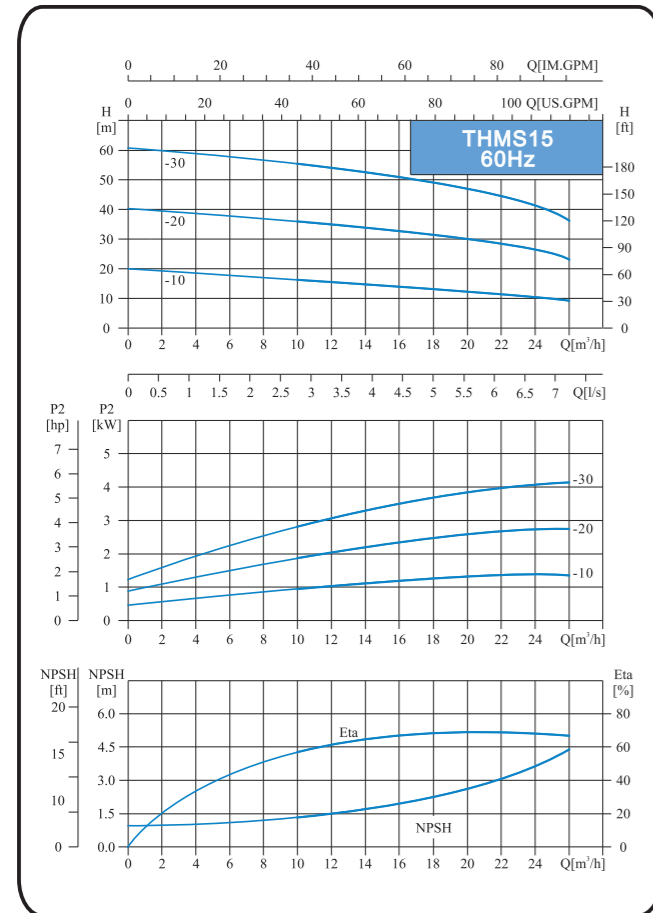
* Three / Single phase

Performance Table

Model	Driving Motor		Q (m³/h)	7	9	11	12	13	15	17	19
	(kW)	(hp)									
THMS12-10	1.1	1.5	H (m)	17	16	15	14.5	14	12.5	11	8.5
THMS12-20	2.2	3		34	33	32	31	30	27	24.5	19
THMS12-30	3	4		52.5	50	48.5	47	45	41.5	37.5	29
THMS12-40	4	5.5		69	67.5	65	63	60.5	55	49.5	40
THMS12-50	5.5	7.5		88	85	82	80	76	70	62	50.5

Technical Data (60Hz)

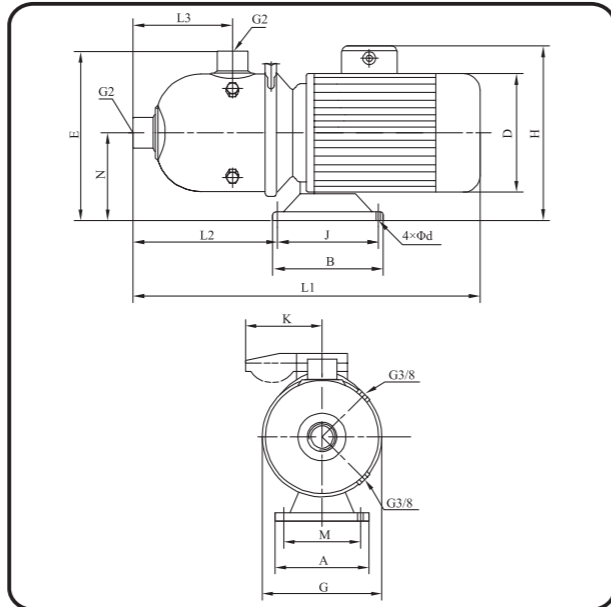
Performance Curve



ISO9906 Annex A

THMS 15

Dimensions



Size and Weight

Model	Size(mm)														Weight (kg)
	L1	L2	L3	N	E	G	A	M	B	J	d	D*	H*	K*	
THMS15-10	563	279	176	118	264	223	130	108	160	138	9	171/176	235/270	-/91	23
THMS15-20	605	279	176	128	274	223	130	108	160	138	9	196/-	259/-	-/-	32
THMS15-30	612	357	176	120	266	223	220	190	170	140	12	213/-	270/-	-/-	45

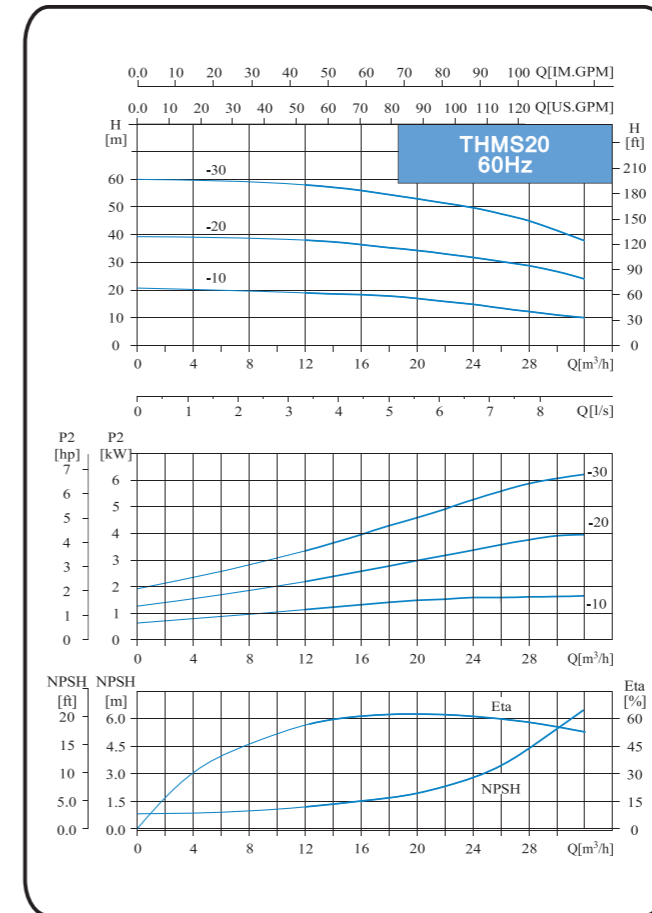
* Three / Single phase

Performance Table

Model	Driving motor		Q (m³/h)	H (m)										
	(kW)	(hp)		10	12	14	15	16	18	20	22	24	26	
THMS15-10	1.5	2	H (m)	17	15.5	14.5	14	13.5	13	12	11	10	9	
THMS15-20	3	4		35.5	34.5	33.5	33	32.5	31	30	28	26	23	
THMS15-30	4	5.5		55	53.5	52.5	51.5	51	49	47	44	41	36.5	

Technical Data (60Hz)

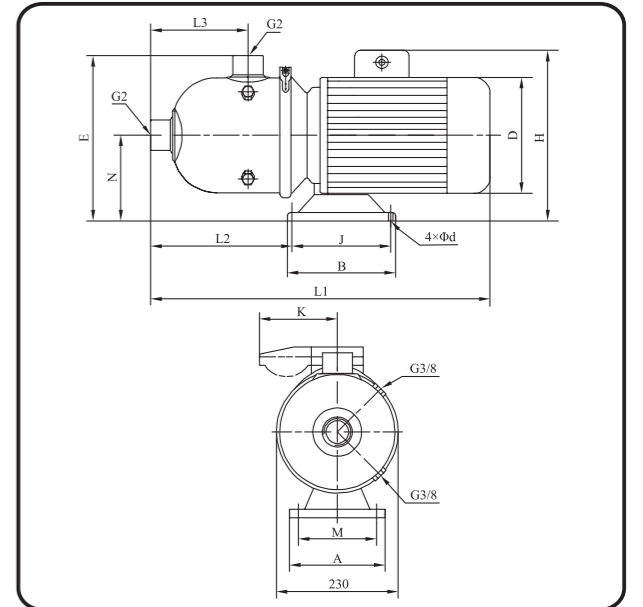
Performance Curve



ISO9906 Annex A

THMS 20

Dimensions



Size and Weight

Model	Size(mm)														Weight (kg)
	L1	L2	L3	N	E	G	A	M	B	J	d	D*	H*	K*	
THMS20-10	563	279	176	118	265	223	130	108	160	138	9	171/176	235/270	-/91	26
THMS20-20	612	357	176	120	267	223	220	190	170	140	12	213/-	270/-	-/-	43
THMS20-30	661	369	176	132	279	223	248	216	190	140	12	255/-	300/-	-/-	56

* Three / Single phase

Performance Table

Model	Driving Motor		Q (m³/h)	H (m)										
	(kW)	(hp)		12	14	16	18	20	22	24	26	28	30	32
THMS20-10	2.2	3	H (m)	19	18.5	18	17.5	17	16	15	13.5	12	11	10
THMS20-20	4	5.5		38	37	36	35	34	33	32	30.5	29	26.5	24
THMS20-30	5.5	7.5		58	57	56	55	53	51.4	50	47.5	45	41.6	38



We reserve the right to change the specifications and designs without prior notice. The OO series and model OO are indicated with our series/model codes in this catalog.

**TSURUMI
MANUFACTURING CO., LTD.**

Your Dealer